

TECHNIFOAMER | 110

INSTRUCTION MANUAL



CONTENTS

1 GENERAL	PAGE 2
2 SAFETY	PAGE 4
3 SPARE PARTS	PAGE 5
4 OPERATION	PAGE 7
5 MAINTENANCE	PAGE 7
6 TECHNICAL SPECIFICATIONS	PAGE 8

I GENERAL

I.1 INTRODUCTION

Thank you for purchasing a Technifoamer which has been developed for the application of foaming products in the food, pharmaceutical and agricultural industries.

In order to achieve the best possible results and reliable service from your Technifoamer we strongly recommend you read this instruction book thoroughly before use.

I.2 WARRANTY CONDITIONS

For a period of 24 months from the date of delivery, your dealer will honour a warranty on parts that do not function properly due to material defects or manufacturing faults. The warranty is reduced to 12 months on wearing parts (highlighted in the section on spare parts). The warranty will cover replacement or repair of the defective part. Costs with regard to dismantling, forwarding and reassembly are defrayed by the purchaser. Any return shipments from the dealer following completed repairs are defrayed by the dealer. The defective parts remain the property of the dealer. Claims that may be made for legal reasons, ordinary wear and tear, as well as damage to parts that can be attributed to negligent or improper handling are not covered by the warranty.

The warranty will be void if the Technifoamer has been exposed to frost. The warranty will also be void if modifications or repairs have been carried out by unauthorised personnel. Warranty claims will only be accepted if they are reported to the dealer immediately after damage has been discovered. The warranty is terminated if there is a change of ownership of the machine. The manufacturer and its dealers cannot be held liable for personal injury, damage to equipment, loss of earnings, including production losses, losses to stock or similar that may have arisen as a result of defects or delayed delivery of the sold product, irrespective of the cause, including manufacturing faults or material defects. In addition, please refer to our general terms and conditions of sales and delivery.

Damage to pumps caused by moisture or debris in air supply is not covered by warranty.

I.3 PROTECTION FROM FROST

The technifoamer must never be exposed to frost as this may cause damage to the equipment.

I.4 AIR SUPPLY

Ensure air supply is clean and dry. Air supply must be filtered and free from moisture and debris. Damage to pumps caused by moisture or debris in the air supply is not covered by warranty.

Declaration of conformity

We declare that the Technifoamer is in conformity with the following EU directives:

Machinery Directive 2006/42/EC

And further conform with the following EU Harmonised Standards:

EN ISO 1200:2010 & EN 809:1998+A1:2009

2 SAFETY

2.1

Please observe these safety instructions in conjunction with the safety instructions provided with the cleaning chemicals being used.

2.2

Always wear protective clothing in accordance with the instructions provided with the cleaning chemicals.

2.3

Do not start the equipment until all operators who are to use the Technifoamer have read and fully understood the instructions.

2.4

Never point the hose/nozzle at any person.

2.5

Always relieve the pressure in the hose before attempting to remove or change the hose or ball valve.

2.6

Never point the spray at live electrical equipment.

2.7

Always ensure chemicals are correctly diluted in the technifoamer tank in accordance with the chemical suppliers recommendations.

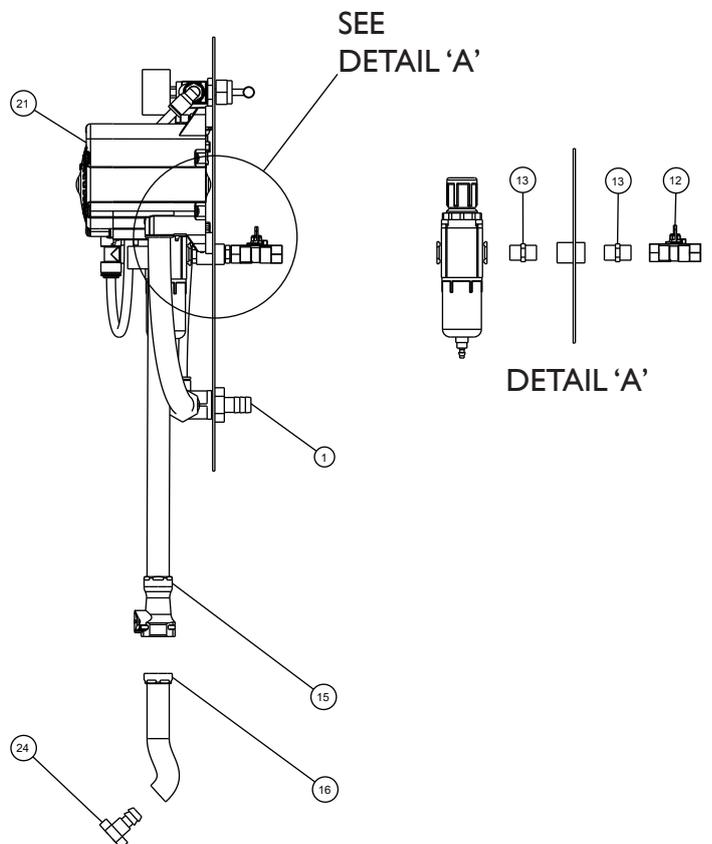
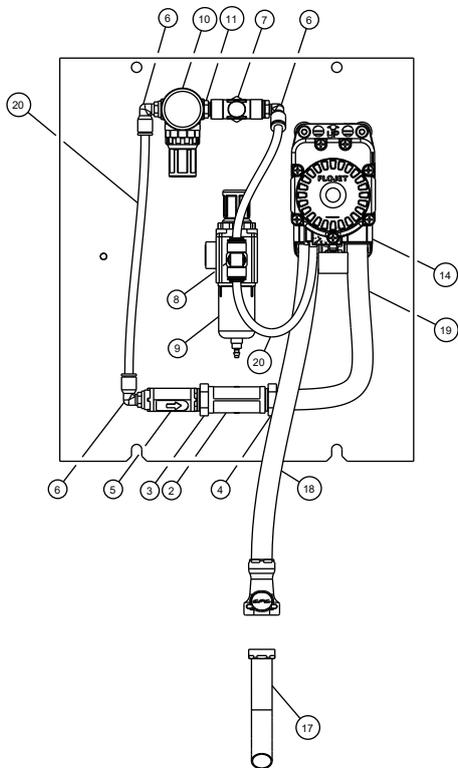
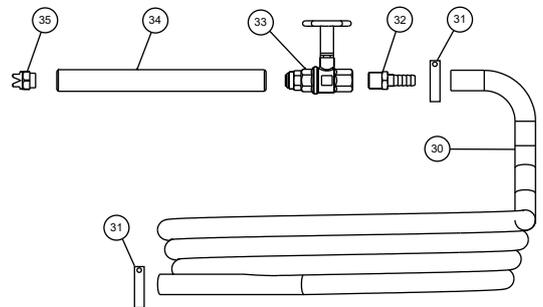
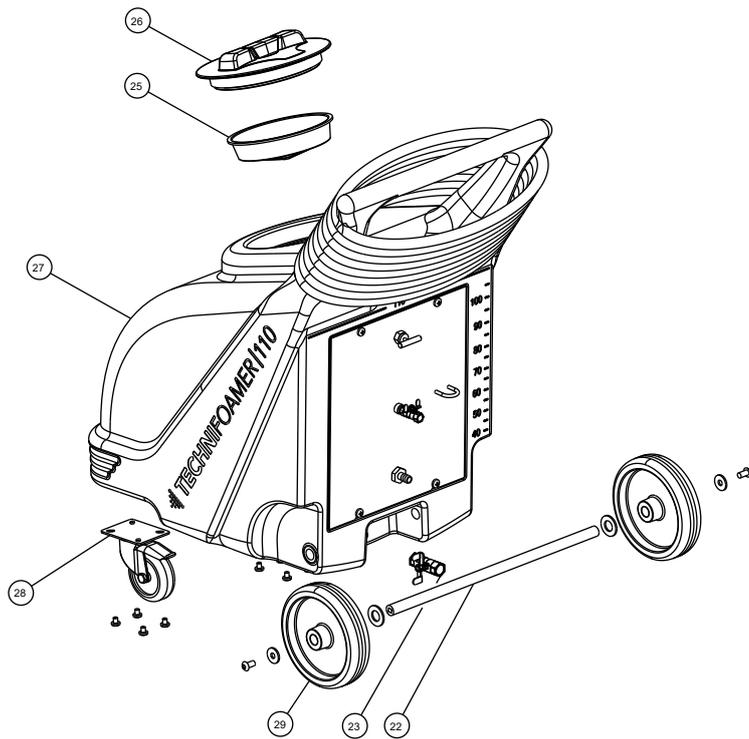
2.8

The Technifoamer may only be used in conjunction with soaps and chemicals that are approved for cleaning within the food or agricultural industries. Soaps and chemicals that are classified as highly corrosive, toxic or which pose a health risk to humans or animals must not be used.

The system must not be used together with solvents or volatile liquids that pose a health risk or are inflammable. In the event that the system is used with non-approved soaps, chemicals or solvents, QJS disclaims all liability.

If in doubt, please contact your soap or chemical supplier and read the supplier manual.

3 SPARE PARTS



3 SPARE PARTS

* Wearing parts

POSITION	DESCRIPTION	ORDER CODE
1	Technifoamer StSt Foam Outlet Hosetail	9188
2	1/2 St St Equal Tee	9115
3	Reducing Bush 1/2M-1/4"F Polypropolene	9084
4	3/8 Hose Tail - 1/2BSP PP	9198
5	Non Return Valve*	9117
6	Technifoamer 90deg Elbow 1/4 x 8mm	9125
7	Technifoamer StSt Needle Valve	9119
8	Regulator Tee	9286
9	Technifoamer Filter Regulator*	9285
10	Technifoamer Air Regulator (20m only)*	9126
11	1/4-1/4 SS LP Adaptor (20m only)	9000T
12	Technifoamer 1/4 Ball Valve	9287
13	1/4-1/4 SS LP Adaptor	9000T
14	G57 Series Port Kit, 10/13 mm (3/8) Barb, Viton	9167
15	3/8 Hose Barb Non-Valved In-Line Coupling - Female	9447B
16	3/8 Hose Barb Non-Valved In-Line Coupling - Male	9447A
17	10mm ChemTube Pick Up 18cm	9096 - V19
18	Technifoamer Chem Tube 26cm	9094 - V19
19	Technifoamer Chem Tue 20cm	9095
20	Technifoamer 8mm Tube Kit	9177
21	Technifoamer Air Diaphragm Pump Viton*	9147
21	Technifoamer Air Diaphragm Pump Santoprene*	9129
22	Technifoamer StSt Axle	9180A
23	Technifoamer Drain Valve	9410
24	3/8 Stainless Steel Chemical Suction Strainer	1854T
25	Technifoamer Basket Filter	9183
26	Technifoamer Lid	9184
27	Technifoamer Translucent Blue Tank	9407
27	Technifoamer Translucent Red Tank	9408
27	Technifoamer Translucent White Tank	9409
28	100mm swivel braked caster - st st/grey tyre/pp centre	9185
29	Technifoamer Hygienic Wheel	9186
30	10m Blue Foam Hose*	9192
30	20m Blue Foam Hose*	9193
30	10m Red Foam Hose*	9194
30	20m Red Foam Hose*	9195
31	Stst oclip 22-25	0585T
32	Technifoamer Valve Hose Tail	9191
33	Technifoamer Foam Valve* - Blue	9189
33	Technifoamer Foam Valve* - Red	9189R
34	Technifoamer 200mm Foam Tube	9190
35	Technifoamer 65150 3/8 St St Nozzle	8043
36	3/8 St St Socket	0696

4 OPERATION

IMPORTANT:

Ensure air supply is clean and dry. Air supply must be filtered and free from moisture and debris. Damage to pumps caused by moisture or debris in the air supply is not covered by warranty. Temperature of chemical solution must not exceed 37°C.

START UP & USE

- 4.1 Fill tank with chemical solution at the correct dilution (check with chemical supplier).
- 4.2 Ensure on/off valve at hose end is turned off.
- 4.3 Connect compressed air supply to air inlet (max 7 bar).
- 4.4 Turn 'dry/wet' control fully clock wise.
- 4.5 Open valve at hose end and wait for fluid to emerge.
- 4.6 Turn 'dry/wet' control anti-clockwise until desired foam quality is reached.

CLOSE DOWN

- 4.7 Close on/off valve at end of hose.
- 4.8 Turn off air supply to machine.
- 4.9 Slowly open on/off valve to release pressure in hose.
- 4.10 At least once daily flush the pump through with clean water by putting 5L clean water in to the tank at 4.1, and following instructions 4.1 - 4.5, then close down 4.7 - 4.9.

5 MAINTENANCE

EVERY DAY

- 5.1 Flush the pump through with clean water as at 4.10
- 5.2 Physically check the tank, hose, connections and valves before each use to detect any damaged parts, and replace as necessary.

6 TECHNICAL SPECIFICATIONS

Air	Inlet Connection	1/4" bspfm
	Max Inlet Pressure	7 bar
	Min Inlet Pressure	3 bar
	Max Air Consumption	0.6l m3/min (21.54 CFM)
Accessories	Max Hose Length	20m
	Min Hose ID	13mm
Weight and dimensions	Weight (empty)	27kg
	Height	890mm
	Width	530mm
	Depth	800mm
	Capacity	110 Litres



Tel 0800 732 525 Email solutions@hygienetech.co.nz

Web hygienetech.co.nz

